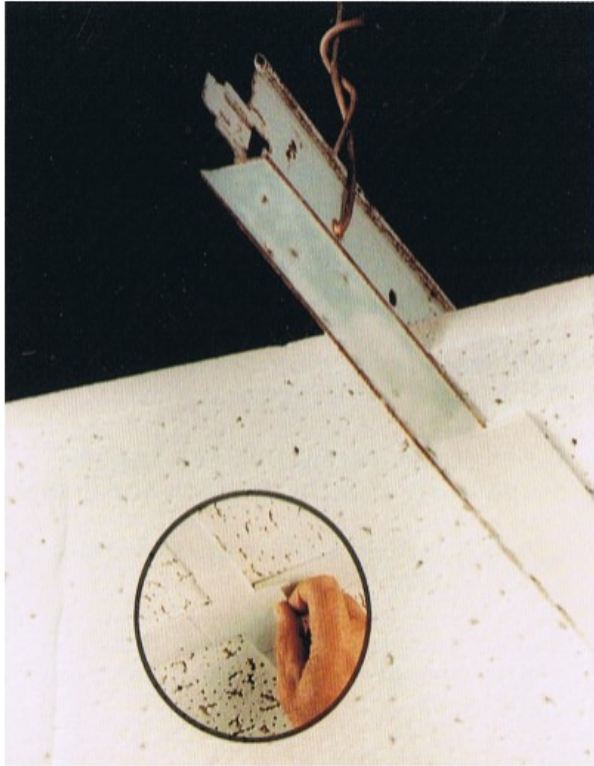


WWW.1800CEILING.COM



WWW.1800CEILING.COM

ReCeil It International, Inc.  
175-B Liberty St.  
Copiague, NY 11726

# Ceiling Armor® Vinyl Snap-On Grid Cover

*"The Solution"*  
*To Rip Out & Replacement*



CALL 1-800-CEILING

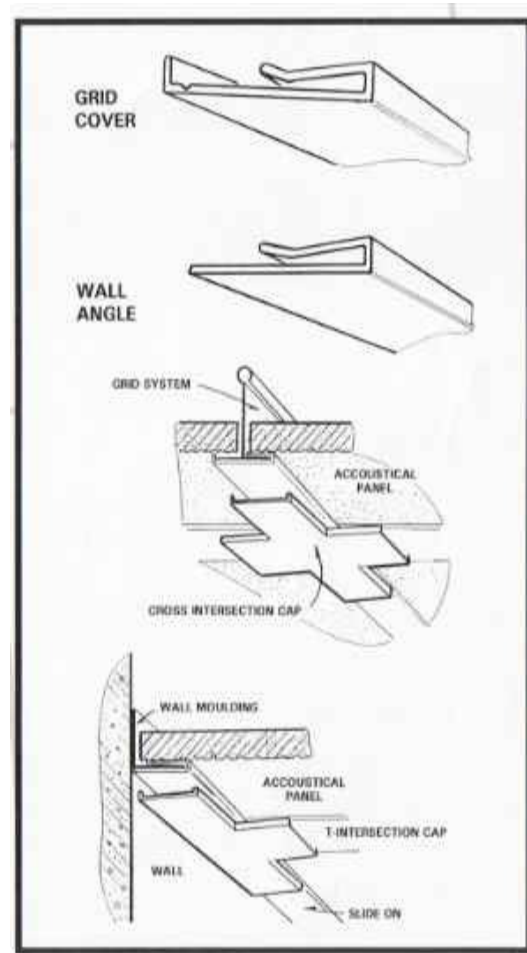
# Ceiling Armor® Vinyl Snap-On Grid Cover

## A SENSIBLE SOLUTION

- **Saves Money—Saves Time**
- **Maintenance Free**
- **Easy to Install—Snaps Into Place**
- **No Mess—No Odor**
- **Reduces or Eliminates Business Disruption**
- **UL Fire Rated and Approved**
- **Will Not Discolor or Fade**
- **Nonconductive—Reduces Electrostatic Attraction of Metal Grids**

Rusty, discolored or soiled ceiling grids are restored....not scrubbed, painted or replaced.

The scrubbable solid vinyl cover is suitable for most environments including outdoor installations.



**ReCeil It International, Inc.**  
**175-B Liberty St.**  
**Copiatue, NY 11726**  
**www.1800CEILING.COM**  
**Phone: 1-800-234-5464**

## Technical Data

**Ceiling Armor** is manufactured from Geon vinyl resins, polyvinylchloride (PVC), which are produced by the BF Goodrich Co., Geon Vinyl Division, Cleveland, Ohio.

**Ceiling Armor** (PVC) is an extremely stable, rigid vinyl that is:

- Environmentally Safe—Hazardous decomposition will not occur unless the product is exposed to prolonged heating (approx. 30 minutes or more) above 200° C (392° F) or short term heating at 250° C (482° F).
- Underwriters Laboratories (UL) Rated - Flame class 94V-0 (fire retardant),
  1. Self-extinguishing/will not support combustions in the absence of a flame.
  2. Flash ignition temperature of approx. 391° C (735° F).
- Nonconductive—An insulator that helps reduce the electrostatic attraction of the metal grids.
- Made in the USA
- Actual lengths of precut grid cover:
  - 2' - 22 5/8"
  - 4' - 46 5/8"

